

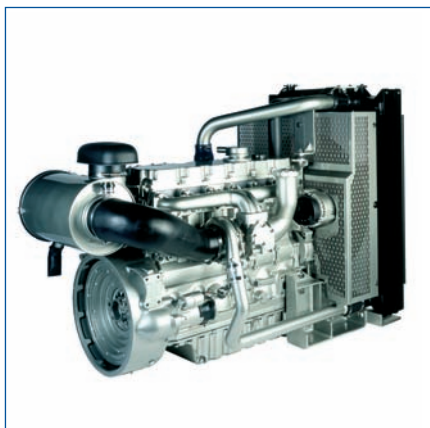


# 1100 Series

## 1106D-E66TAG4

### Diesel Engine - ElectropaK

192 kW @ 1800 rev/min



#### Power to Meet your Needs

Hitting the key power nodes required by the market, the 1106D-E66TAG4 ElectropaK has been developed to provide a clean and cost effective power solution.

#### State of the Art Design

The 1106D utilises the latest common-rail fuel system technologies with a closely optimised air-management system, which is overseen by the latest generation of electronic engine control. This allows the 1106D range to deliver high power density and excellent fuel economy with low exhaust emissions and minimum heat rejection.

#### Worldwide Power Solution

The 1106D has been designed to be worldwide fuel tolerant, including kerosene, jet aviation fuel and 5% biofuel (RME). Options are available to meet local market needs.

#### Product Support

- Perkins actively pursues product support excellence by ensuring our distribution network invest in their territory - strengthening relationships and providing more value to you, our customer
- Through an experienced global network of distributors and dealers, fully trained engine experts deliver total service support around the clock, 365 days a year. They have a comprehensive suite of web based tools at their fingertips covering technical information, parts identification and ordering systems, all dedicated to maximising the productivity of your engine
- Throughout the entire life of a Perkins engine, we provide access to genuine OE specification parts and service. We give 100% reassurance that you receive the very best in terms of quality for lowest possible cost .. wherever your Perkins powered machine is operating in the world

#### Lower Operating Costs

The 1106D maintains Tier 2 fuel economy. This will allow many customers to keep existing fuel tanks, avoiding the need for costly redesign. Service intervals are set at 500 hours as standard and Perkins provides comprehensive warranty cover for two years (up to 3,000 hours), with three years on major engine components. A low usage warranty package is also available.

#### Long-term Power Solution

The 1106D-E66TAG ElectropaK range has been designed to fully comply with stringent EPA Tier 3 emissions regulations, providing an emissions compliant power solution for the future.

*Certified against the requirements of Tier 3 legislation for non-road mobile machinery, powered by constant speed engines (EPA 40 CFR Part 89 Tier 3).*

The 1106D-E66TAG ElectropaKs are the latest addition to Perkins 1100 Series Electric Power line-up. Offering improved power density from a compact package, these ElectropaK's build on Perkins reputation within the Power Generation Industry.

These ultra clean engines are assembled on a new high technology production line. Frequent computerised checks during the production process ensure high build quality is maintained throughout.

Hitting the key power nodes required by the market, the 1106D-E66TAG product line-up consists of three models offering a power solution for both Prime and Standby applications, in 60 Hz territories.

Engine Speed (rev/min)	Type of Operation	Typical Generator Output (net)		Engine Power			
		kVA	kWe	Gross		Net	
				kWm	bhp	kWm	bhp
1800	Prime power	200	160	186	249	174	233
	Standby (maximum)	219	175	204	274	192	258

The above ratings represent the engine performance capabilities to conditions specified in ISO 8528/5

Derating may be required for conditions outside the test conditions; consult Perkins Engines Company Limited. Generator powers are typical and are based on typical alternator efficiencies and a power factor Fuel specification: Consult Perkins Engines Company Limited (various fuel specifications are available). Lubricating oil: multi-grade oil conforming to API-CH4/C14 must be used

#### Rating Definitions

**Prime Power:** Power available at variable load in lieu of a main power network. Overload of 10% is permitted for 1 hour in every 12 hours' operation

**Standby (maximum):** Power available at variable load in the event of a main power network failure. No overload is permitted

# 1100 Series

## 1106D-E66TAG4

### Standard ElectropaK Specification

#### Air inlet

- Mounted air filter and turbocharger

#### Cooling system

- 27" belt-driven pusher fan and guards
- Radiator (incorporating air-to-air charge cooler + fuel cooler)
- Water pump

#### Electric system

- 12 volt starter motor
- 12 volt, 100 amp alternator with DC output

#### Flywheel and housing

- High inertia flywheel
- SAE2 flywheel housing

#### Fuel system

- Electronic governing (conforms to Class G3 ISO 8528-5)
- Fuel filter

#### Literature

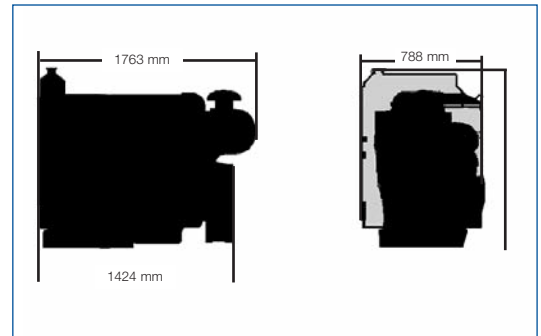
- Users Handbook

#### Lubrication system

- Flat-bottomed isolated aluminium sump
- Oil filter

#### Start aids

- Glow plugs



Fuel Consumption		
Engine Speed	1800 rev/min	
	g/kWh	l/hr
Standby	213	52
Prime power	219	48
75% of prime power	223	37
50% of prime power	237	26
25% of prime power	254	14

#### General Data

Number of cylinders	6 in-line
Bore and stroke	105 mm x 127 mm
Displacement	6.6 litres
Aspiration	Turbocharged air-to-air aftercooling
Cycle	4 stroke
Combustion system	Direct injection
Compression ratio	16.2:1
Rotation	Anti-clockwise viewed on flywheel
Cooling system	Water
Dimensions	Length 1763 mm* Width 788 mm Height 1140 mm
Dry weight	788 kg
Wet weight	822 kg

\* Length includes air cleaner  
Final weight and dimensions will depend on completed specification



#### Perkins Engines Company Limited

Peterborough PE1 5NA  
United Kingdom  
Telephone +44 (0)1733 583000  
Fax +44 (0)1733 582240  
[www.perkins.com](http://www.perkins.com)

All information in this document is substantially correct at time of printing and may be altered subsequently  
Publication No.1798/11/08 Produced in England ©2006 Perkins Engines Company Limited

Distributed by