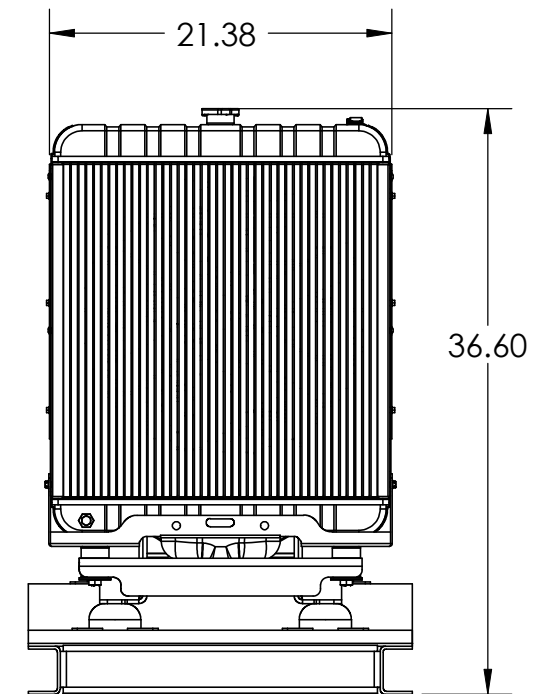
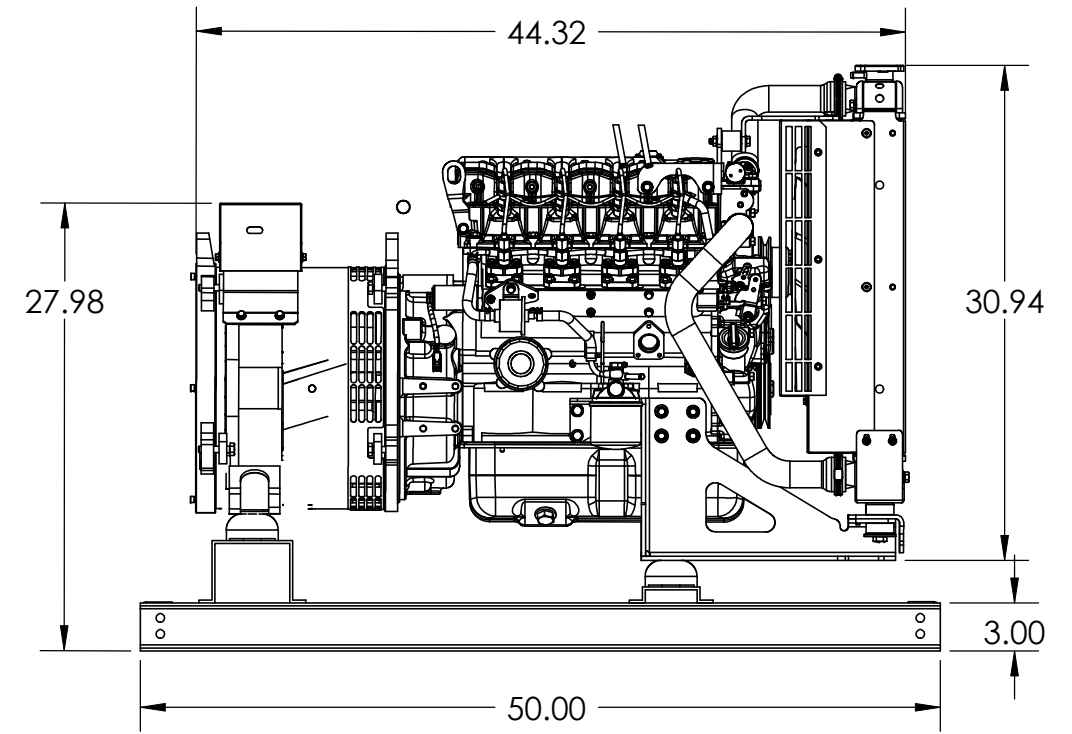
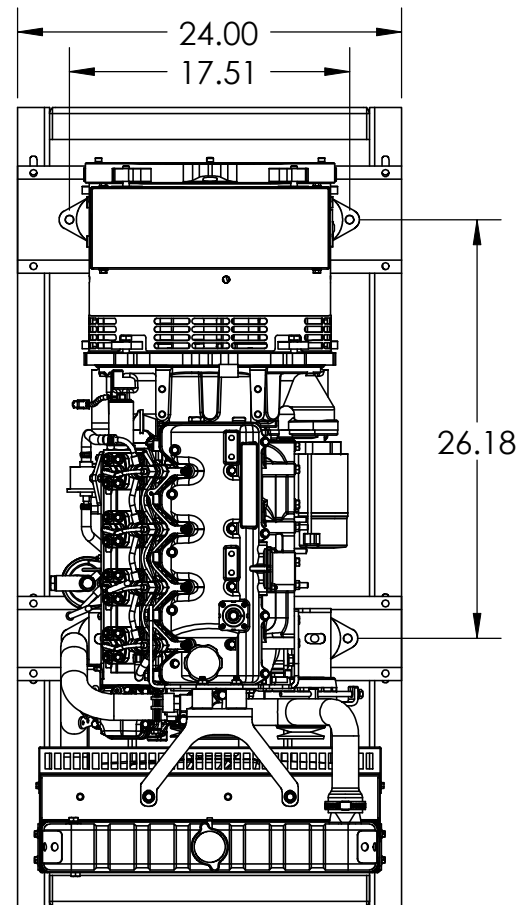
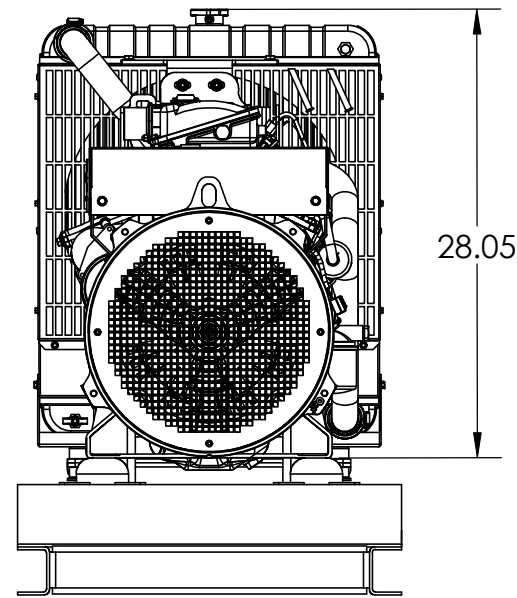
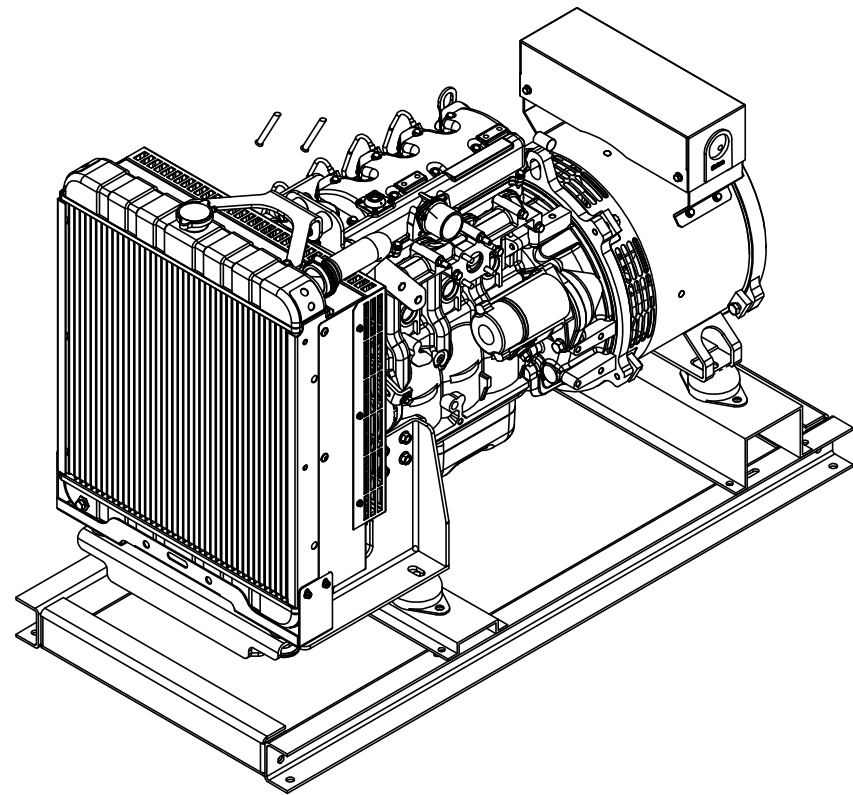


WEIGHTS	LBS
MOUNTING SKID	60
ENGINE (DRY WEIGHT)	348
RADIATOR	
GENERATOR	265
ASSEMBLY	902

Hardy Diesel

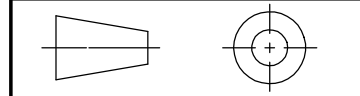


UNLESS OTHERWISE SPECIFIED
DIMENSIONS ARE IN INCHES

STANDARD TOLERANCES
DECIMALS FRACTIONS ANGLES
.X ± .03 ± 1/64 ± 0°30'
.XX ± .01
.XXX ± .005

BREAK SHARP EDGES .003-.02
ALL MACHINE SURFACES $\sqrt{}$

INTERPRET DRAWING PER MIL-STD-100



THIS DRAWING CONTAINS INFORMATION
CONFIDENTIAL IN NATURE TO MBPC. IT MAY NOT
BE REPRODUCED IN ANY WAY OR THE
INFORMATION USED FOR MANUFACTURING
PURPOSES OR ANY OTHER PROCESS WITHOUT
WRITTEN AUTHORIZATION B

Hardy Diesel

20KW 4LE1 ASSEMBLY

SIZE: B	DWG ID: 20 KW 11 x 17 SHEET	REV
	PART NO. GIA204LE	A
SCALE: 1:14	DWN BY: DO NOT SCALE	SHEET 1 OF 1