



For North American Market

INDUSTRIAL DIESEL ENGINE

KUBOTA EA SERIES (1-cylinder)

EA330-E3-NB1



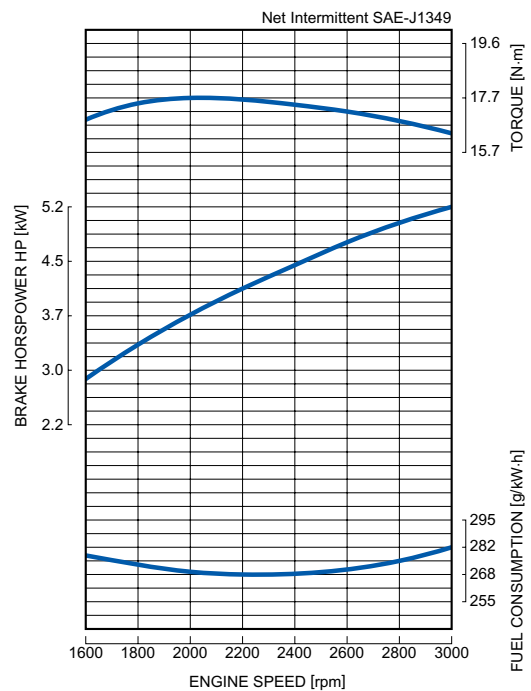
RATED POWER

5.15kW@3000rpm



Photographs may show non-standard equipment.

PERFORMANCE CURVE



FEATURES and BENEFITS

Emissions

- The Kubota EA330 engine complies with EPA Tier 4 emissions regulations. These are the most stringent emissions regulations in the world in this class.

Durable Power

- The Kubota EA330 engine has been chosen as the power source for a variety of applications.
- Combustion chamber with TVCS (Three Vortex Combustion System) provides stable performance even at high engine rpm. And because of the extra displacement for its output, work goes surely and steadily.
- This engine offers a seamless transition from Tier 2 to Tier 4 by entirely maintaining the same performance and physical characteristics of the previous Tier 2 engines.

Clean and Quiet Power

- Kubota's original TVCS (Three Vortex Combustion System) provides ideal mixture of air and fuel, and enables low fuel consumption.

GENERAL SPECIFICATION

Net Intermittent SAE-J1349

Model		EA330-E3-NB1
Emission Regulation		Tier 4
Type		Horizontal 4-cycle liquid cooled Diesel
Number of Cylinders		1
Bore	mm (in)	77 (3.03)
Stroke	mm (in)	70 (2.76)
Displacement	L (cu.in)	0.325 (19.83)
Combustion System		IDI (TVCS)
Aspiration		Naturally Aspirated
Maximum Speed	rpm	3000
Output: Net Intermittent	kW	5.15
	HP	6.9
	PS	7.0
Oil Pan Capacity	L (gal)	1.3 (0.34)
Starter Capacity	V-kW	12-0.8
Alternator Capacity	V-A	12-3.5
Length	mm (in)	566 (22.28)
Width	mm (in)	411 (16.18)
Height (1)	mm (in)	457 (17.99)
Dry Weight	kg (lb)	54 (119)

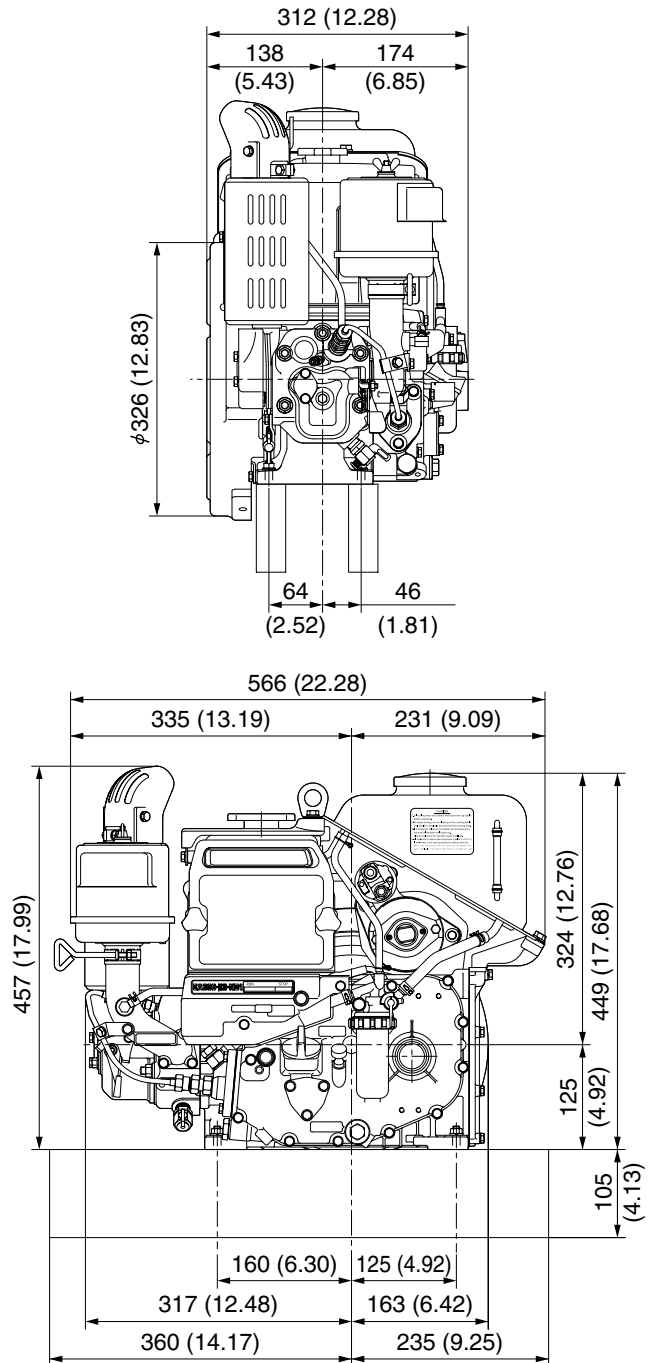
*Specification is subject to change without notice.

*Output: Net Intermittent SAE-J1349

*Dry weight is according to Kubota's standard specification.

When specification varies, the weight will vary accordingly.

DIMENSIONS



Your Driving Force
KUBOTA ENGINE

KUBOTA Corporation

2-47, Shikitsuhigashi 1-chome, Naniwa-ku, Osaka, 556-8601 Japan

Fax: 06-6648-3521

<http://engine.kubota.co.jp>